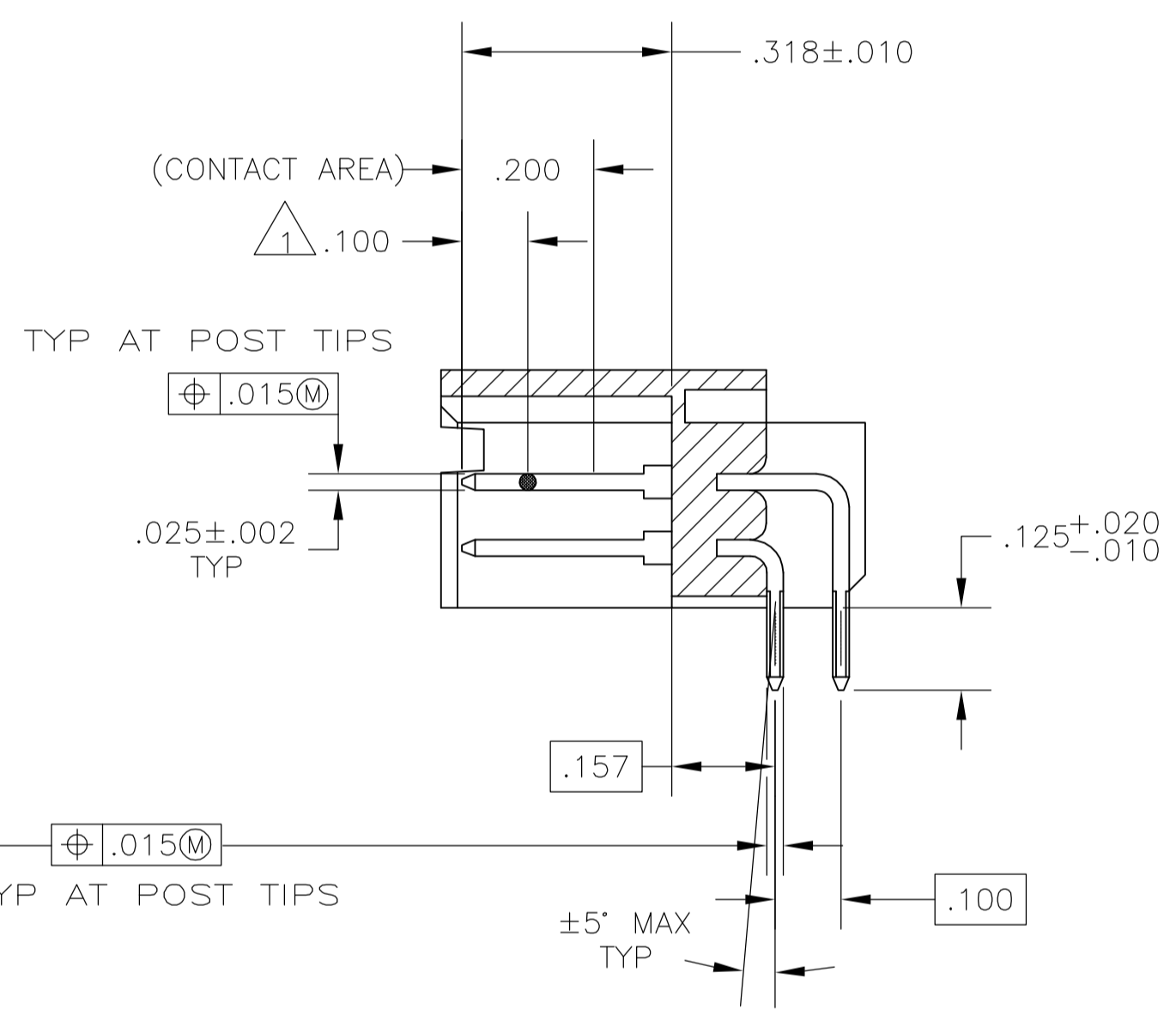
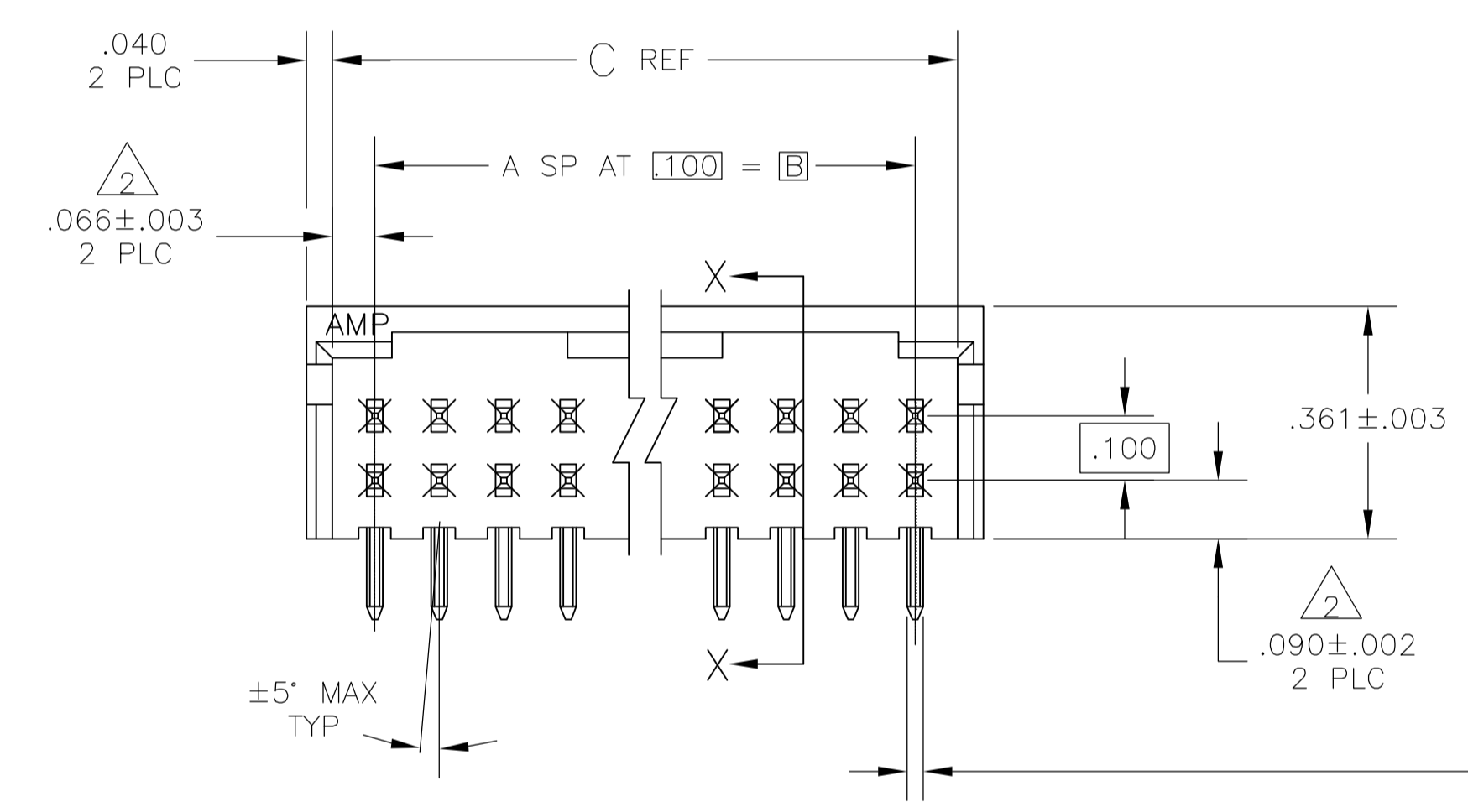


RECOMMENDED HOLE LAYOUT



SECTION X-X

- 1 POINT OF MEASUREMENT FOR PLATING THICKNESS.
- 2 THE NOTED DIMENSION APPLIES AT THE INTERSECTION OF THE POST AND HOUSING
- 3 POSTS: .000015 GOLD IN CONTACT AREA, .000100-.000200 MATTE TIN-LEAD ON SOLDER TAIL, ALL OVER .000050 NICKEL.
- 4 POSTS: .000015 GOLD IN CONTACT AREA, .000100-.000200 MATTE TIN ON SOLDER TAIL, ALL OVER .000050 NICKEL.

4	3.032	2.900	29	60	7-102055-8
4	2.732	2.600	26	54	7-102055-5
4	2.532	2.400	24	50	7-102055-3
4	2.032	1.900	19	40	6-102055-8
4	1.732	1.600	16	34	6-102055-5
4	1.532	1.400	14	30	6-102055-3
4	1.232	1.100	11	24	6-102055-0
4	.932	.800	8	18	5-102055-8
4	.832	.700	7	16	5-102055-7
4	.732	.600	6	14	5-102055-6
4	.632	.500	5	12	5-102055-5
4	.532	.400	4	10	5-102055-4
4	.432	.300	3	8	5-102055-3
4	.332	.200	2	6	5-102055-2
4	1.032	.900	9	20	5-102055-1
4	3.732	3.600	36	74	3-102055-5
OBSOLETE	3.632	3.500	35	72	3-102055-4
OBSOLETE	3.532	3.400	34	70	3-102055-3
OBSOLETE	3.432	3.300	33	68	3-102055-2
OBSOLETE	3.332	3.200	32	66	3-102055-1
OBSOLETE	3.232	3.100	31	64	3-102055-0
OBSOLETE	3.132	3.000	30	62	2-102055-9
3	3.032	2.900	29	60	2-102055-8
OBSOLETE	2.932	2.800	28	58	2-102055-7
OBSOLETE	2.832	2.700	27	56	2-102055-6
3	2.732	2.600	26	54	2-102055-5
OBSOLETE	2.632	2.500	25	52	2-102055-4
3	2.532	2.400	24	50	2-102055-3
OBSOLETE	2.432	2.300	23	48	2-102055-2
OBSOLETE	2.332	2.200	22	46	2-102055-1
OBSOLETE	2.232	2.100	21	44	2-102055-0
OBSOLETE	2.132	2.000	20	42	1-102055-9
3	2.032	1.900	19	40	1-102055-8
OBSOLETE	1.932	1.800	18	38	1-102055-7
OBSOLETE	1.832	1.700	17	36	1-102055-6
3	1.732	1.600	16	34	1-102055-5
OBSOLETE	1.632	1.500	15	32	1-102055-4
3	1.532	1.400	14	30	1-102055-3
OBSOLETE	1.432	1.300	13	28	1-102055-2
3	1.332	1.200	12	26	1-102055-1
3	1.232	1.100	11	24	1-102055-0
OBSOLETE	1.132	1.000	10	22	102055-9
3	.932	.800	8	18	102055-8
3	.832	.700	7	16	102055-7
3	.732	.600	6	14	102055-6
3	.632	.500	5	12	102055-5
3	.532	.400	4	10	102055-4
3	.432	.300	3	8	102055-3
3	.332	.200	2	6	102055-2
3	1.032	.900	9	20	102055-1

SUPERCEDED BY 1-103164-1

THIS DRAWING IS A CONTROLLED DOCUMENT.		DIN H MOLL 16NOV87	Tyco Electronics Corporation Harrisburg, Pa 17105-3608	
DIMENSIONS: INCHES		CHK R FEJDT 16NOV87	NAME R FLICKER 16NOV87	
TOLERANCES UNLESS OTHERWISE SPECIFIED:		PRODUCT SPEC		
0 PLC ± -		APPLICATION SPEC		
1 PLC ± -		SIZE A1		
2 PLC ± -		CAGE CODE 00779		
3 PLC ± .005		DRAWING NO. 102055		
4 PLC ± -		RESTRICTED TO		
ANGLES ± -		CUSTOMER DRAWING		
MATERIAL: HOUSING: FLAME RETARDANT; THERMALLY STABLE; COLOR: BLACK; POSTS: PHOS BRONZE		SCALE 4:1 SHEET 1 OF 1 REV K		